

# Quotation Information - Gas Chromatograph

Project Manager

Inquiry Number

(Fill out the above fields if you have already been assigned a PM and Inquiry Number.)

In order to expedite a quote, please fill in as much information as possible and transmit to your local ABB Totalflow Representative. \*=Required for a Quote

**Choose one\*:**  NGC  PGC

Buyer:

Company Name:	<input type="text"/>	Date:	<input type="text"/>
Contact Name:	<input type="text"/>	Phone:	<input type="text"/>
City:	<input type="text"/>	State:	<input type="text"/>
		Country:	<input type="text"/>

## System Overview:

Installation site geographical location:

End User Company*:	<input type="text"/>		
Technical Contact:	<input type="text"/>	Project Reference:	<input type="text"/>
Phone:	<input type="text"/>	State:	<input type="text"/>
		Country*:	<input type="text"/>

GC Application (Or Process Areas):

Location's ambient temperature: Minimum:  Maximum:

Will the analyzer be installed indoors or outdoors?

If indoors, will the building be environmentally controlled (HVAC)?  Yes  No

If outdoors, is a Cold Weather Enclosure (see Fig. 2, Item B) required?  Yes  No

See Fig. 2 for Cold Weather Enclosure options such as type of heater, mounting configuration, power options, bottle racks, and communication field installation kits.

Mounting Options (See Fig. 3):  \*If Pipe Run, Diameter of Pipe for Saddle:

If Other, Please Specify:

Sample Conditioning System supplied by:

Available Power Options:  GC Power Input:  Power Supplied By:

Area Classification:  Communication Protocol:

Remote Communication Used:  Total Number of Master Devices Polling Unit:

A USB port is provided for Local Interface. Local interface requires a laptop with Windows 2000 or better.

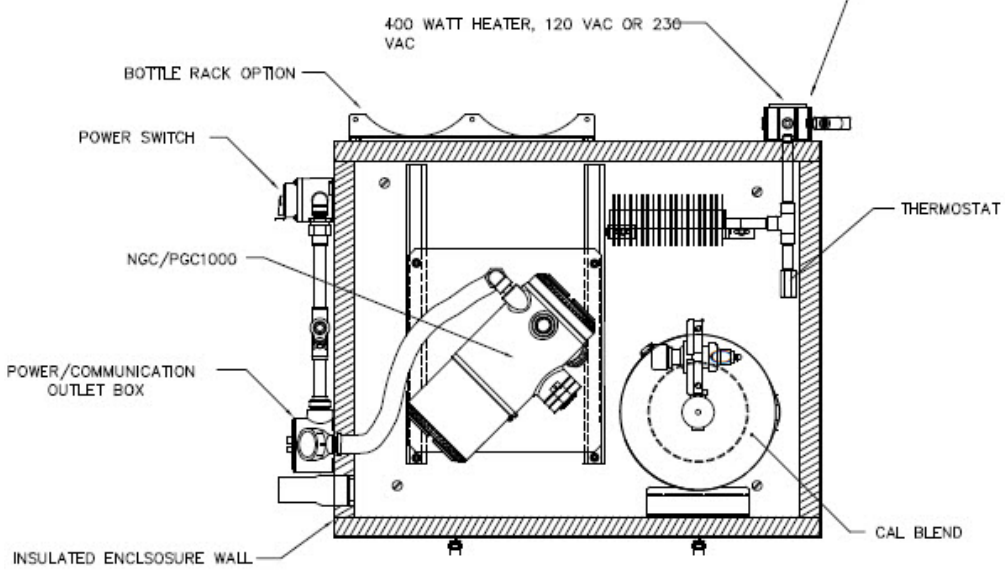
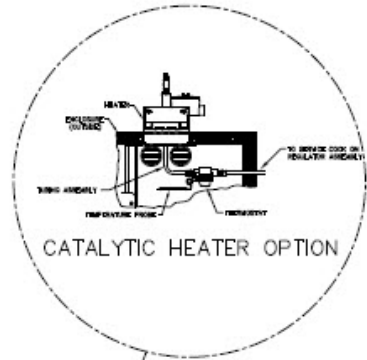
Special Calculations Requested:

Optional for PGC **Standard Calculations included:** AGA-8 Detail, Wobbe, ISO Summation Factor, Dew Point (on request above)  
**Standard Gas Compositions included:** ISO 6976 Flat, GPA 2172, ISO 12213

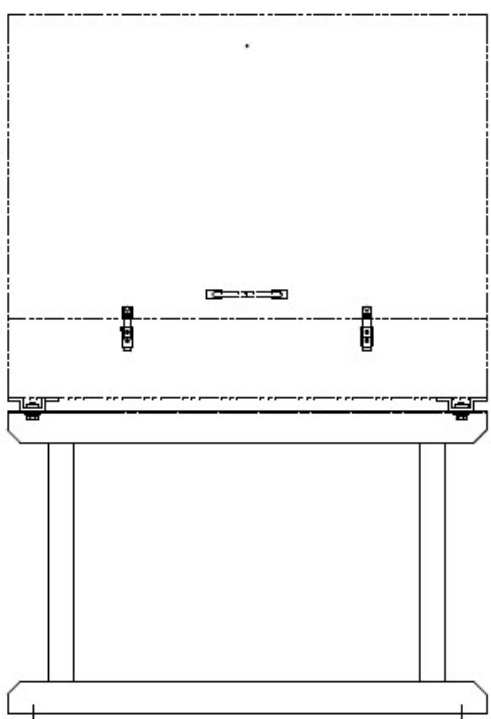
Additional Comments:



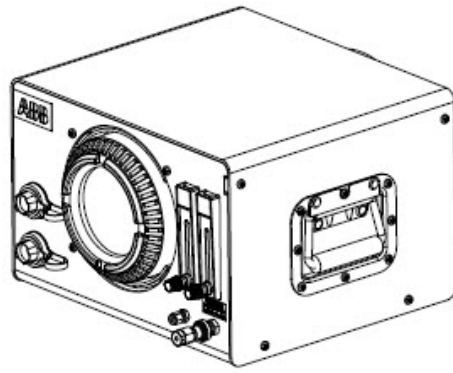




TOP VIEW



FRONT VIEW  
COLD WEATHER ENCLOSURE (CWE)



PORTABLE UNIT

